

**HALMA • SUSPENSION**  
 REF. 9620.80

**WEIGHT**

Net Weight: 45kg | 99.21 lbs  
 Gross Weight: 76kg | 167.6 lbs

**BULBS**

Quantity: 36  
 Type: G9  
 Wattage: 40W (max)

**MATERIALS**

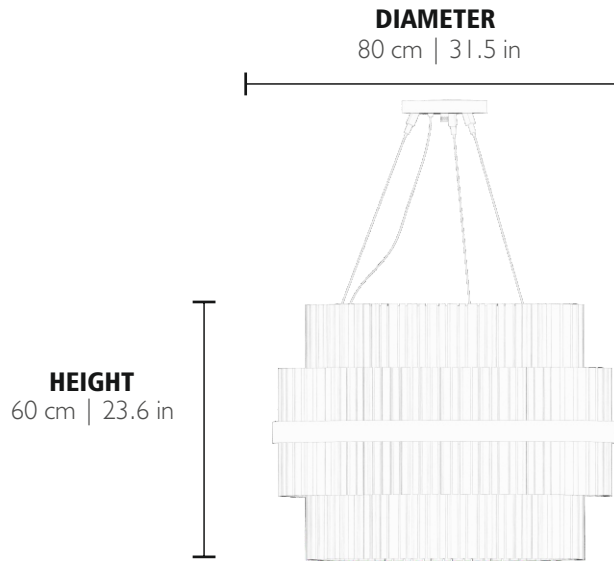
Body: Brass  
 Details: Glass

**GLASS**

Type: Clear

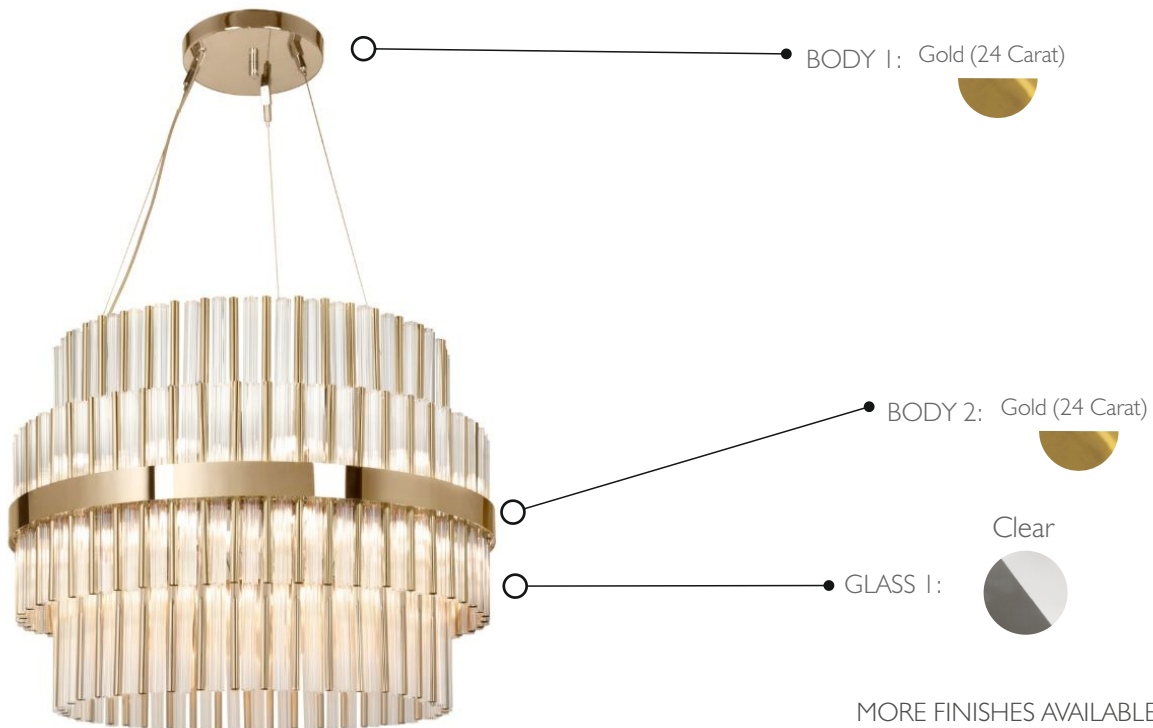
**PACKING** (approx.)

Dimensions: 80Ø x 60 cm  
 24.8 x in  
 Volume: 0.19 m<sup>3</sup> | 6.87 ft<sup>3</sup>



- ☐ - Products manufactured according the European norm of security EN 60 598-1.
- ▽ - Products adjusted for instalation in surfaces normally inflammable.
- ☐ - Products of class II. The electric isolation is double or reinforced.
- ⚡ - Products with the possibility of instalation of low-energy consumption bulbs.

PRODUCT FINISHES & COSTUMIZATION OPTIONS



MORE FINISHES AVAILABLE HERE:  
[CLICK HERE](#)